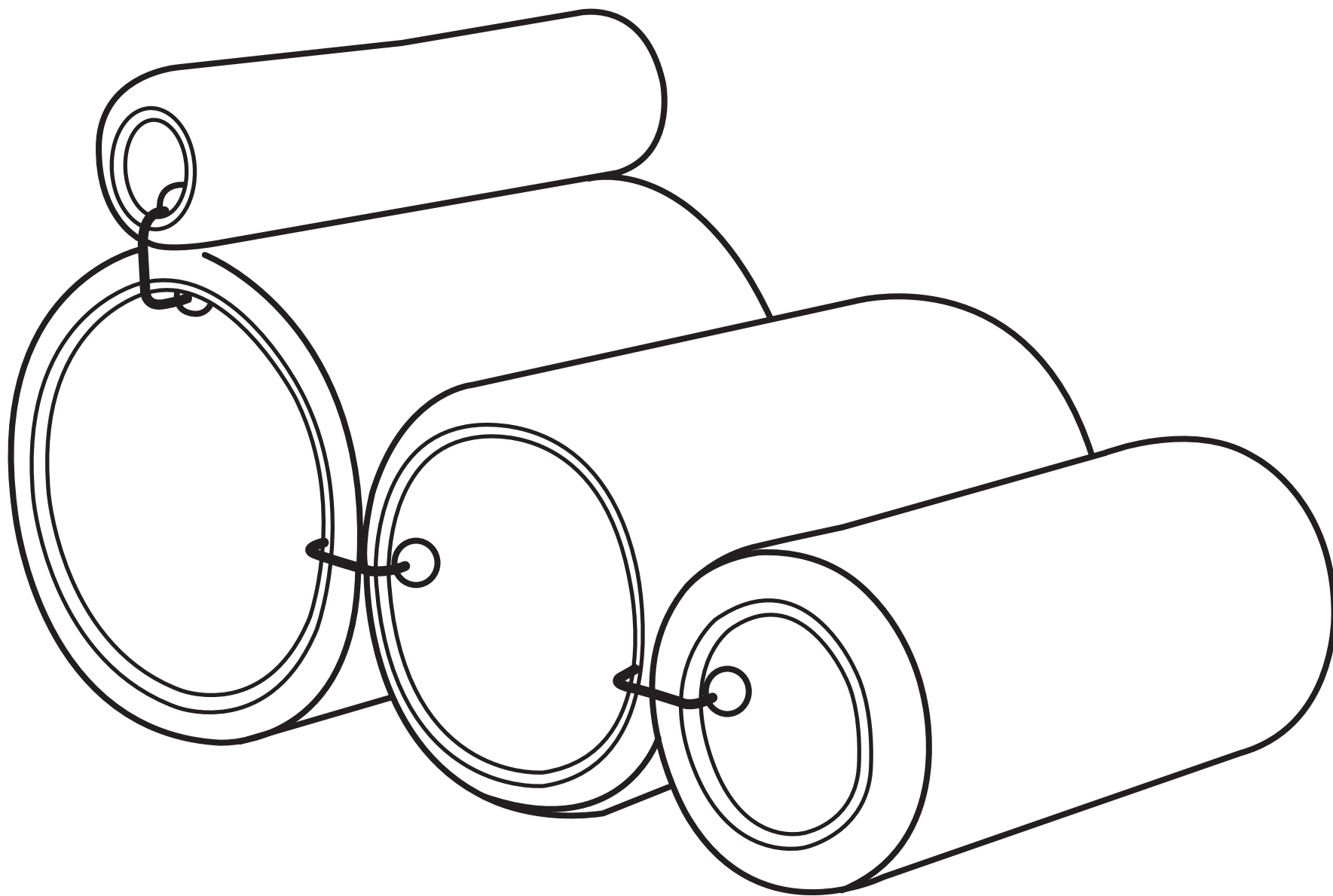


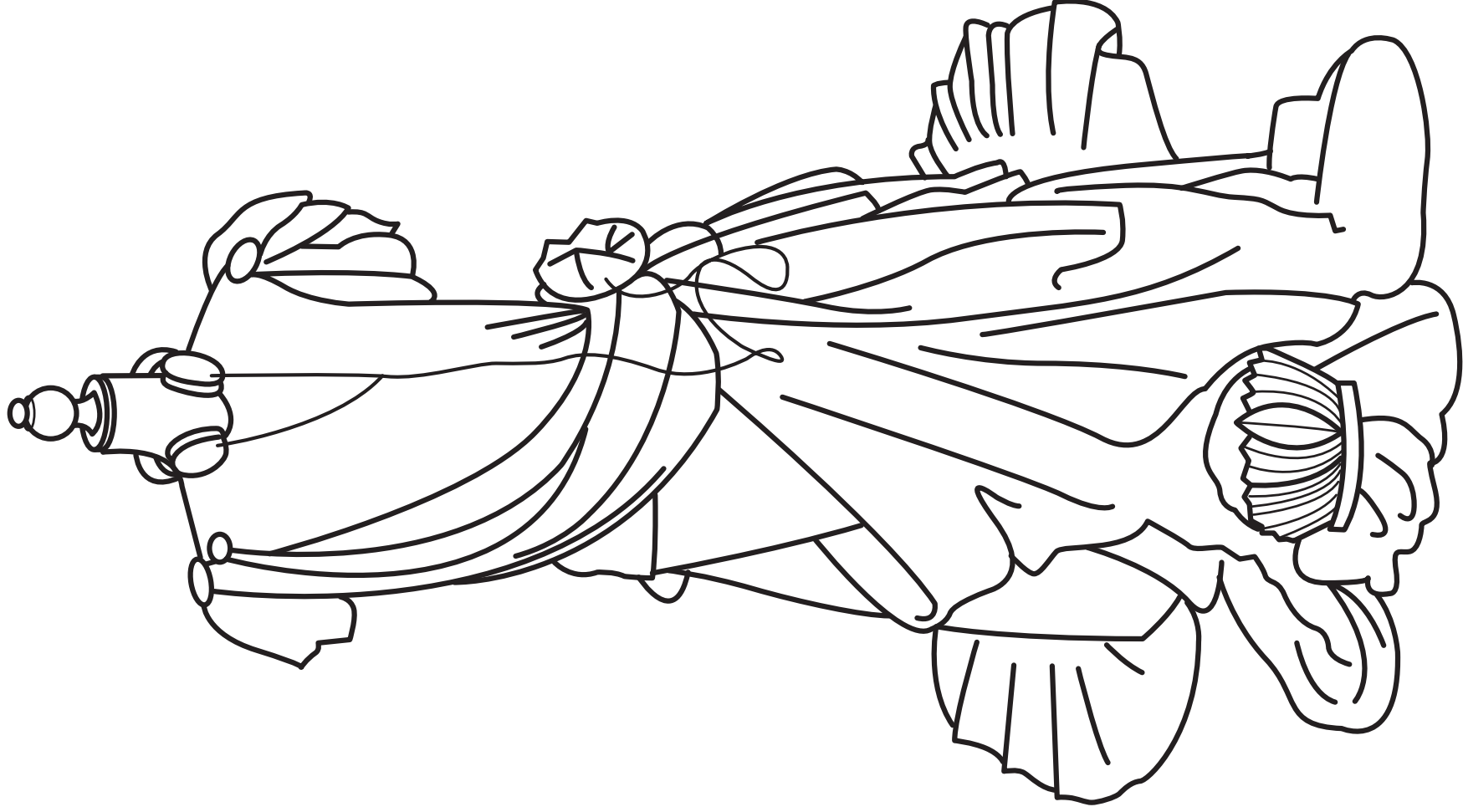
Abäke, *A fleet of mountain (Faceboat)*, 2017



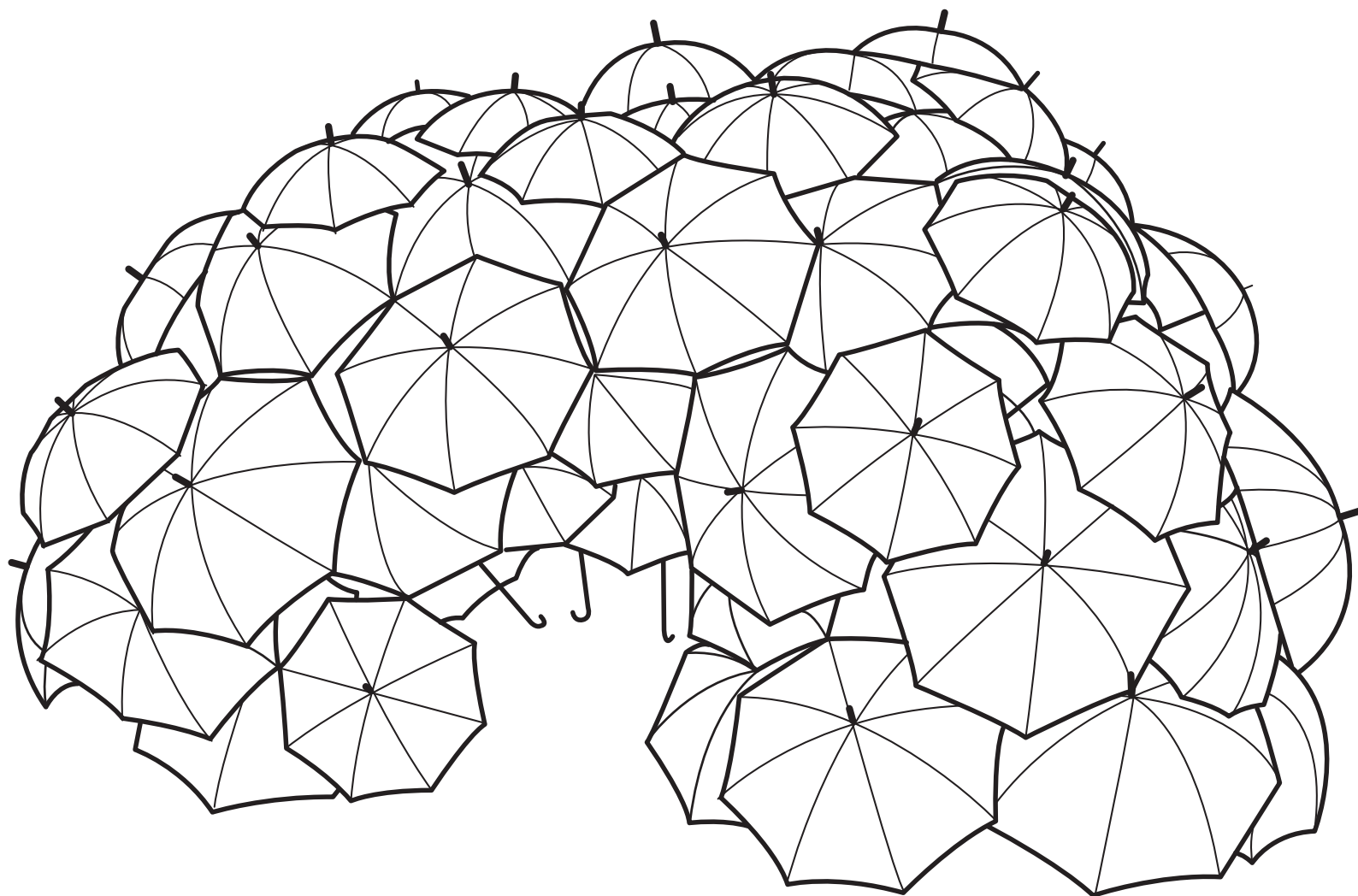
Joe Colombo, *Fauteuil Tubo*, 1969-1970



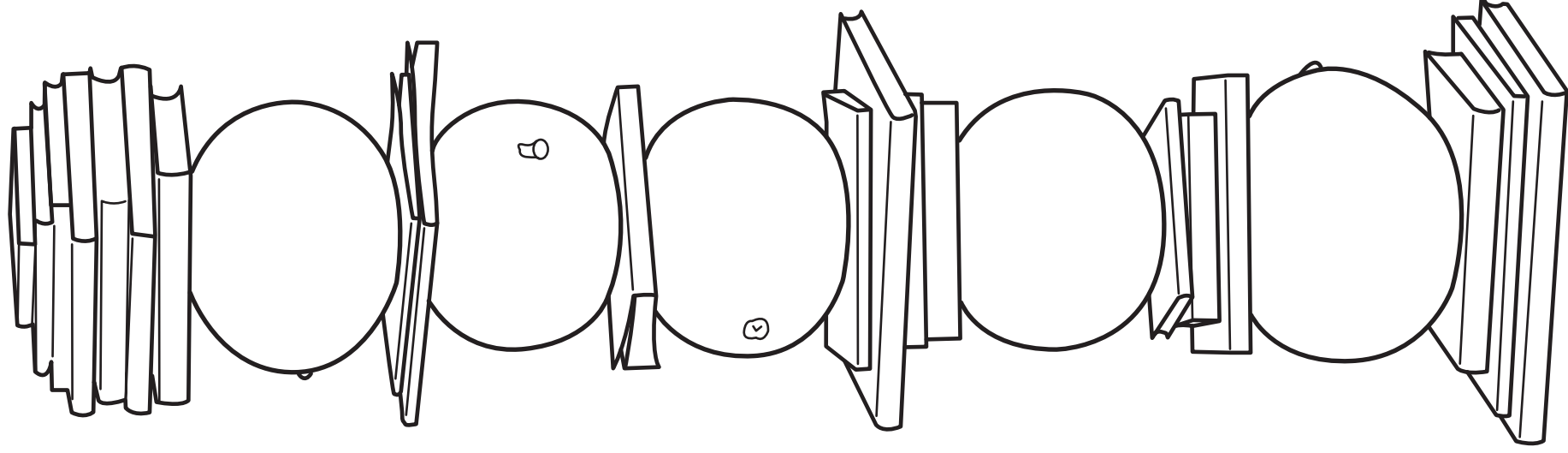
Raymond Pettibon, *No title (In spite of)*, 1982



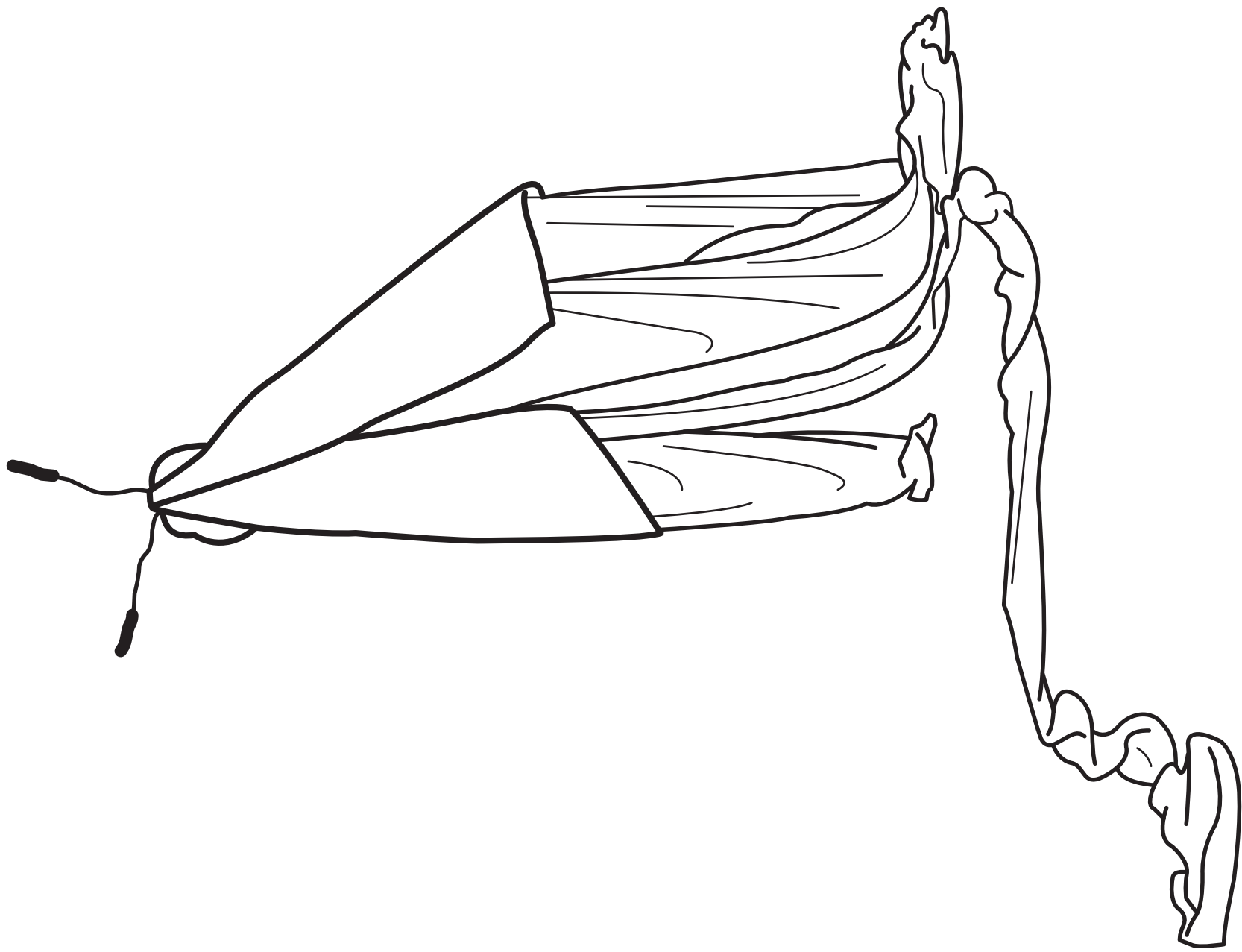
Lise Haller Baggesen, *Ms Peace in the US!*, 2016



Kohei Sasahara, *Sunny*, 2016



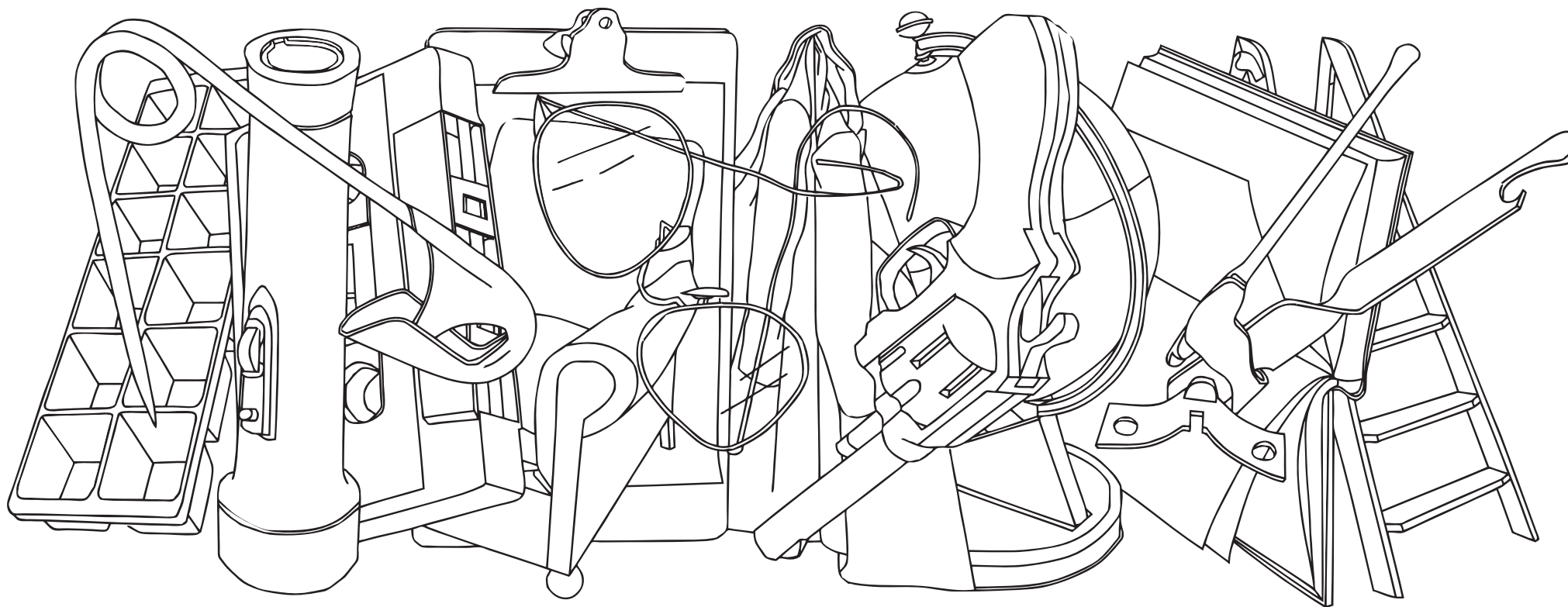
Maddalena Fragnito de Giorgio, Taboo



Petrit Hailaj, Do you realize there is a rainbow even if it's night !? (red), 2017



Tejo Remy, *Chest of Drawers*, 1991



Michael Craig-Martin, *Modern Dance*, 1987



Marion Baruch, *Ron Ron*, 1972



Marion Baruch, *Ron Ron*, 1972